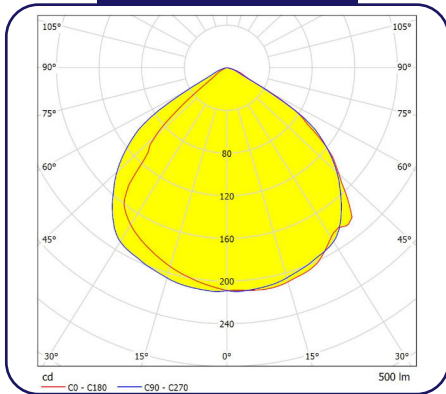




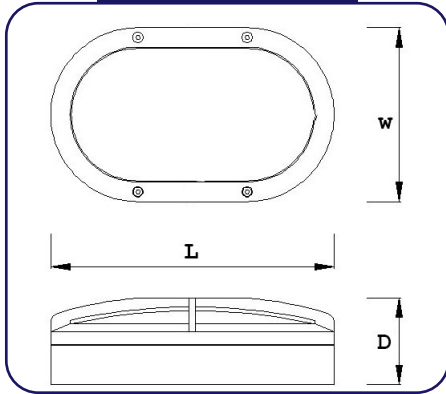
OT Series

OT-09

Photometric Data



Drawing



Applications

Outdoor - Entrances, Building walls, Fences

Mounting

Wall

THD

< 10

Power Factor

0.95

Housing

Die cast aluminum

Diffuser

PC

Internal Protection

IP 55

Impact Strength

IK 08

Weight

2 Kg

Efficacy

100 Lumens / Watt

Working Temp (ta)

55°C

Warranty

5 Years

Life Time

50,000 Hours

CRI

> 80

Certification

SASO 2902

UL Listed

LM79, ISTMT, TM21

Photobiological



Other Options

Dimming 0-10V

Wire Guard



| Model | Power | Size (L x W x D) | Lumen | Voltage | CCT |
|-----------|-------|------------------|---------|-------------------|-------|
| NLC OT-09 | 6W | 215 x 134 x 67mm | 600 LM | 220-240V/50/60Hz | 3000K |
| | 12W | | 1200 LM | | 4000K |
| | | | | 110-277V/ 50/60Hz | 6000K |



Environment friendly product that is free of any hazardous materials