

Applications:-

Clinics, School, Shops, Homes, Hallways Hospital, Corridors, Supermarkets etc...

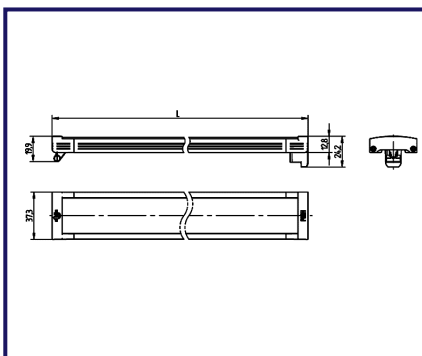
Specifications:-

- Surface mounted.
- Luminaire body of steel sheet, degreased, phosphated and electrostatically coated, stoved enamelled in white epoxy polyester powder paint.
- Quick and easy installation even in very narrow luminaires (slot light channels).
- Audible and tactile feedback during mounting process “Click-Fit”
- Straight and pure design, genuine high grade materials
- Tight colour tolerance: McAdams 3.5 SDCM.
- Life time: 50,000HRS.
- Ambient temperature: -30 °C bis + 45 °C.
- **Options:**
- Dimming: 1-10 standard dimming.
- Suitable for emergency battery backup for 3hrs.

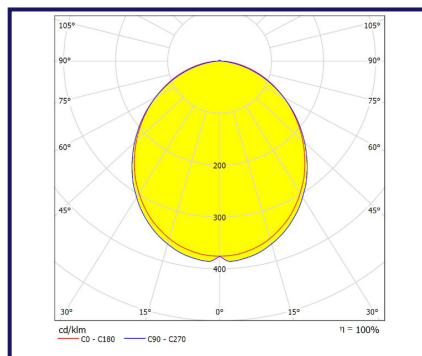
LIGHTING SOURCE

MODEL	SIZE	LUMEN	EFFICACY	WATTAGE	VOLTAGE	CCT	CRI	BEAM ANGEL
NLC L 43	600MM X 40MM	1100LM	122LM/W	9W	220-240V 50/60Hz	3000K 4000K	>80	120°
		1900LM	119LM/W	16W				
	1200MM X 40MM	2250LM	125LM/W	18W				
		4000LM	125LM/W	32W				

DRAWING



PHOTOMETRIC DATA



T8 - LED

1X18W	9W
2X18W	16W
1X36W	18W
2X36W	32W

